

# Urban

by

**MNML**

×

**TURF**





# Urban

## **EXTRUDED & CHAOTIC**

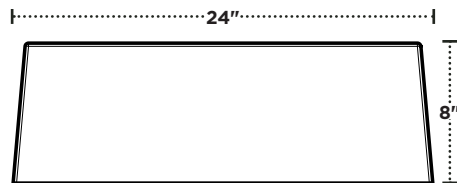
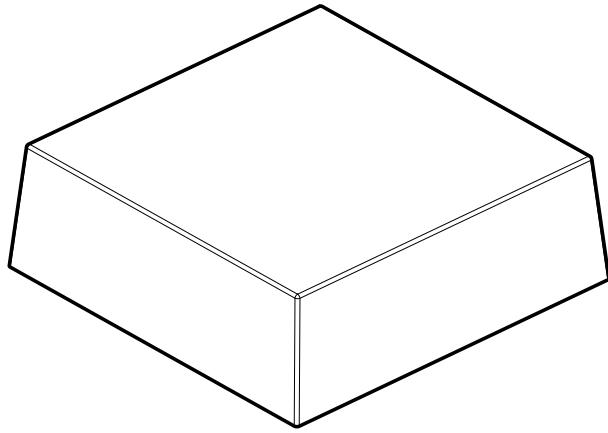
The Urban Ceiling System is a drop ceiling product series designed in partnership with MNML that transforms interiors through both cutting edge aesthetics and acoustical performance. Made to magnetically snap to the underside of a tee grid, Urban can be attached directly under preexisting tiles while also obscuring the tee grid itself; this is where collaboration yields brilliance.

# Tile A

1

## PERSPECTIVE

Urban is designed to mimic the varied elevations of buildings in an urban environment. Extruded tiles range from 2" to 8".



3

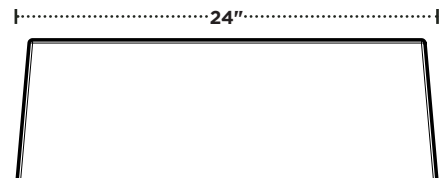
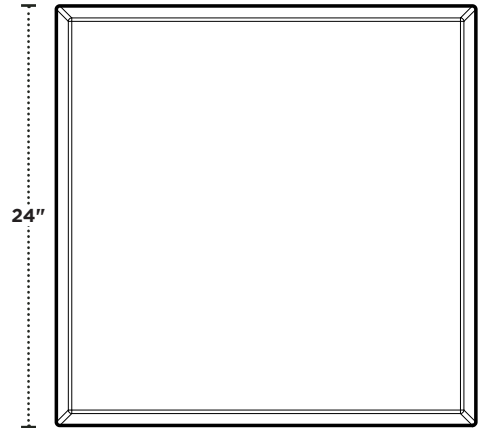
## SIDE ELEVATION

Dropping a **maximum of 8"** below the **ceiling grid height** allows Urban to transform a space without obstructing clearance heights of standard offices.

2

## PLAN VIEW

Urban is designed to fully obscure the tee grid from below. Its design creates a subtly complex pattern through form and shadow.



4

## FRONT ELEVATION

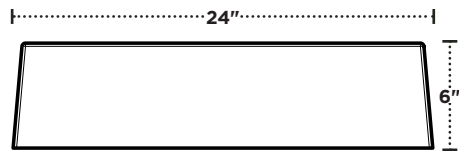
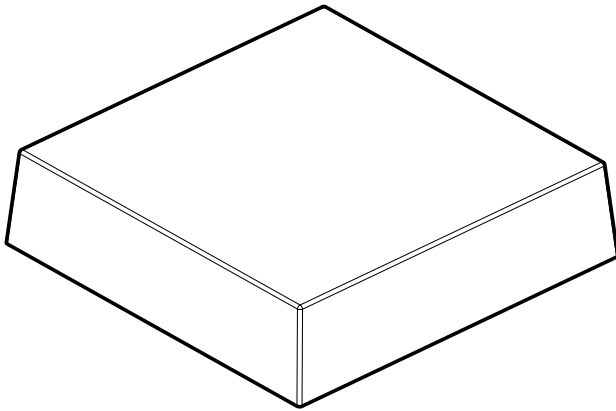
The magnets embedded in the interior edges of each corner allow for a quick installation directly to the underside of any standard tee grid system.

# Tile B

1

## PERSPECTIVE

Urban is designed to mimic the varied elevations of buildings in an urban environment. Extruded tiles range from 2" to 8".



3

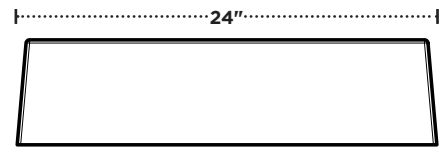
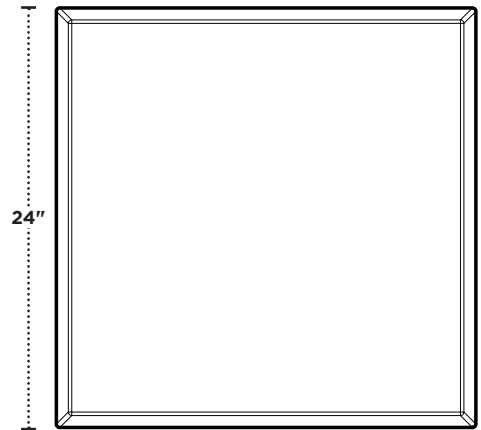
## SIDE ELEVATION

Dropping a **maximum of 8"** below the **ceiling grid height** allows Urban to transform a space without obstructing clearance heights of standard offices.

2

## PLAN VIEW

Urban is designed to fully obscure the tee grid from below. Its design creates a subtly complex pattern through form and shadow.



4

## FRONT ELEVATION

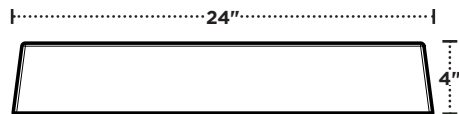
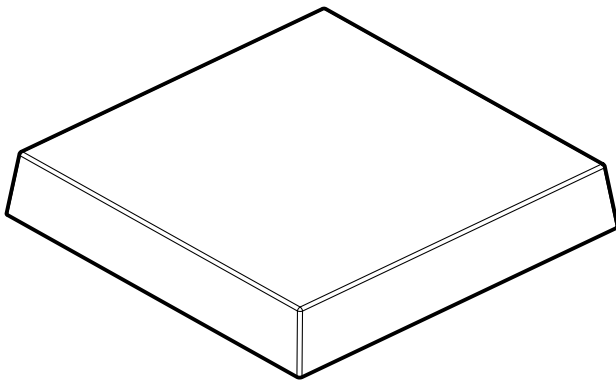
The magnets embedded in the interior edges of each corner allow for a quick installation directly to the underside of any standard tee grid system.

# Tile C

1

## PERSPECTIVE

Urban is designed to mimic the varied elevations of buildings in an urban environment. Extruded tiles range from 2" to 8".



3

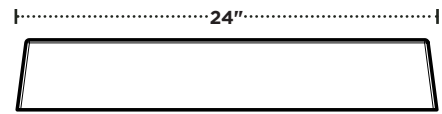
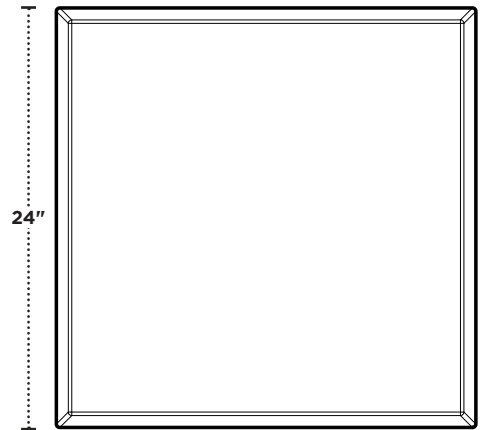
## SIDE ELEVATION

Dropping a **maximum of 8"** below the **ceiling grid height** allows Urban to transform a space without obstructing clearance heights of standard offices.

2

## PLAN VIEW

Urban is designed to fully obscure the tee grid from below. Its design creates a subtly complex pattern through form and shadow.



4

## FRONT ELEVATION

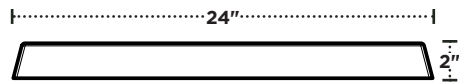
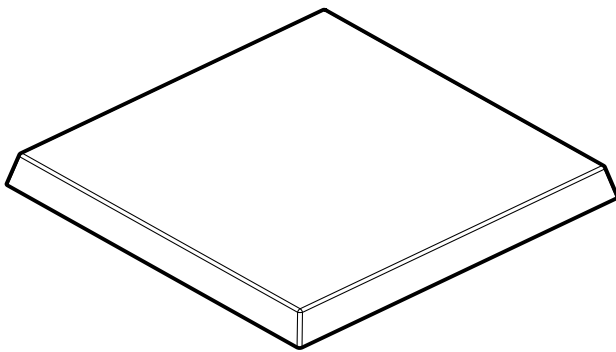
The magnets embedded in the interior edges of each corner allow for a quick installation directly to the underside of any standard tee grid system.

# Tile D

1

## PERSPECTIVE

Urban is designed to mimic the varied elevations of buildings in an urban environment. Extruded tiles range from 2" to 8".



3

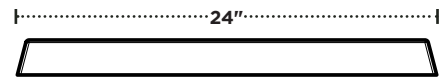
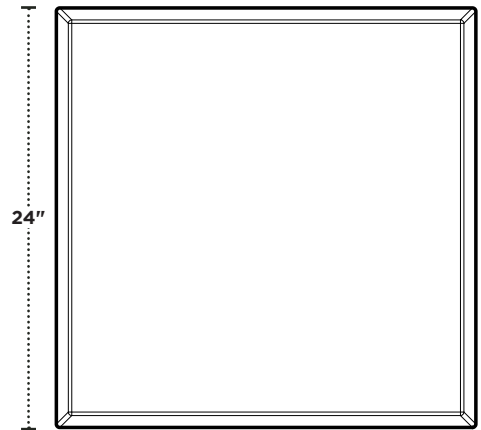
## SIDE ELEVATION

Dropping a **maximum of 8"** below the **ceiling grid height** allows Urban to transform a space without obstructing clearance heights of standard offices.

2

## PLAN VIEW

Urban is designed to fully obscure the tee grid from below. Its design creates a subtly complex pattern through form and shadow.



4

## FRONT ELEVATION

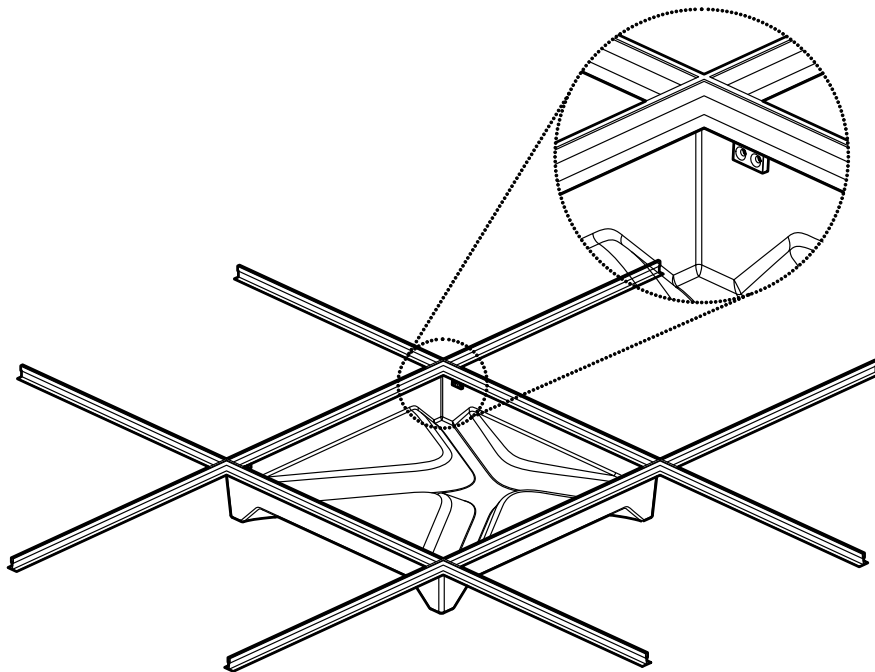
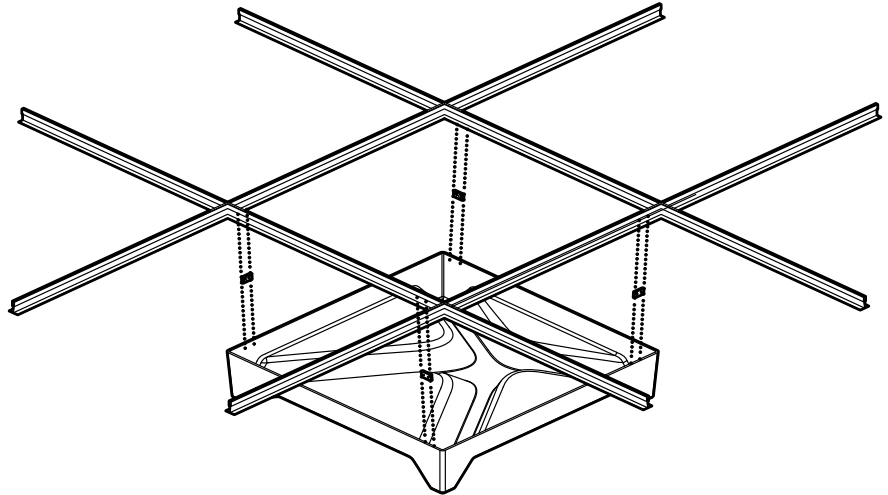
The magnets embedded in the interior edges of each corner allow for a quick installation directly to the underside of any standard tee grid system.

# Assembly

1

## EXPLODED AXON

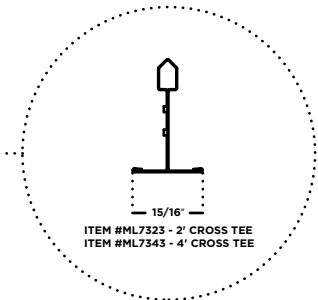
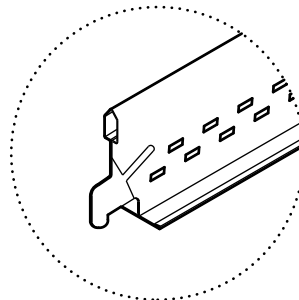
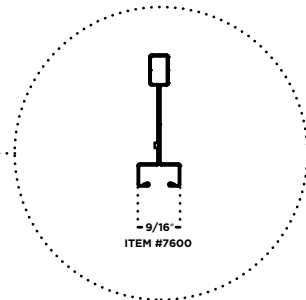
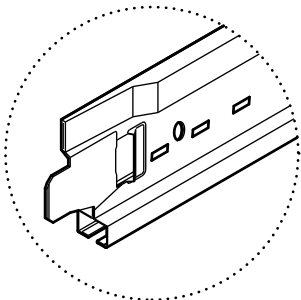
All Urban tiles have embedded magnets that snap directly to the underside of any standard drop ceiling system.



2

## DETAIL

This connection detail makes installation a breeze while also obscuring the tee grid from below.



3

## TEE GRID OPTIONS

Urban tiles snap into both 9/16" and 15/16" standard Tee Grid drop ceiling grids.

# Specifications

<b>PRODUCT NAME</b>	Urban Tile
<b>CONTENT</b>	Up to 99% Recycled Polyester Felt
<b>FELT THICKNESS</b>	5mm
<b>PANEL THICKNESS</b>	Varies
<b>SMALLEST SIZE</b>	24" x 24" x 2"
<b>MAXIMUM SIZE</b>	24" x 24" x 8"
<b>EDGE OPTIONS</b>	Exposed Felt
<b>COMPONENTS</b>	Felt tile + four magnetic connections with steel clips and adhesive covers.
<b>DURABILITY</b>	Contract
<b>MAINTENANCE</b>	Vacuum occasionally to remove any particulate matter and air-borne debris or dust. Compressed air can be used to dust the material in difficult to reach areas for large assemblies.
<b>LEAD TIME</b>	Shipped in 6 - 8 weeks.
<b>ENVIRONMENTAL</b>	9mm PET felt board is made from up to 99% recycled polyester plastic, over 50% of which come from recycled water bottles. TURF has a Declare Label for this product. TURF is pursuing product transparency for LEED V4 MR Credit 4 Option 1, and MR Credit 3 Option 2 for recycled content.
<b>VARIATION</b>	PET Felt uses a traditional 'felting' process to create its panels. This often results in a pleasing heathered effect, where multiple tones are present in the fiber. Slight and consistent variations in color should be expected when using this sustainable material.
<b>ACOUSTICS</b>	Forthcoming
<b>VOC</b>	ASTM D 5116 Compliant
<b>FIRE RATING</b>	Product made from Class A PET felt material tested under ASTM E-84.



# 5MM Felt Colors



**M04 PUMICE**

PET Felt uses a traditional 'felting' process to create its panels. This often results in a pleasing heathered effect, where multiple tones are present in the fiber. Slight and consistent variations in color should be expected when using this sustainable material.



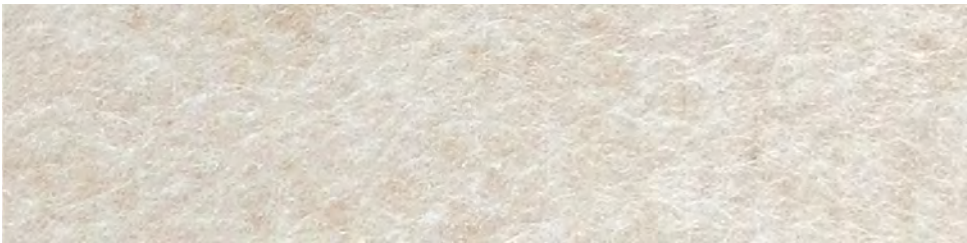
**M05 TALC**



**M06 CARBON**



**M07 ONYX**



**M01 SANDSTONE**



**M48 TRAVERTINE**