

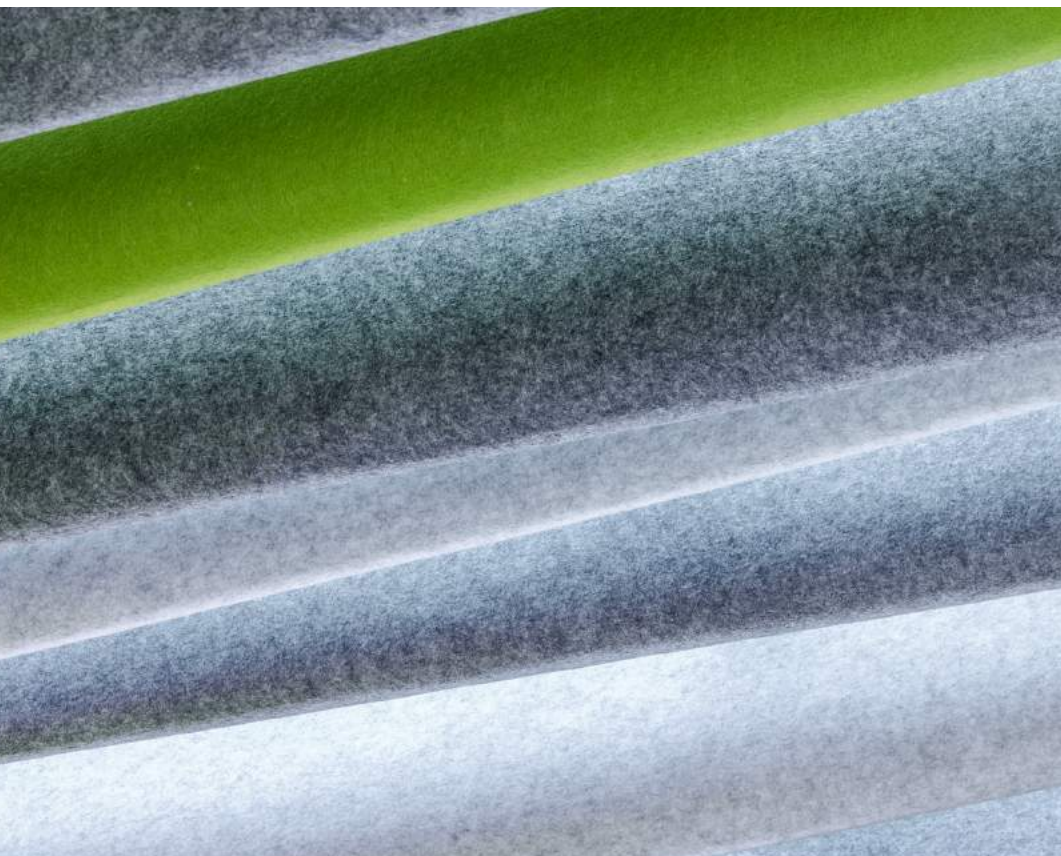


# Drop Baffle

by

**T U R F**



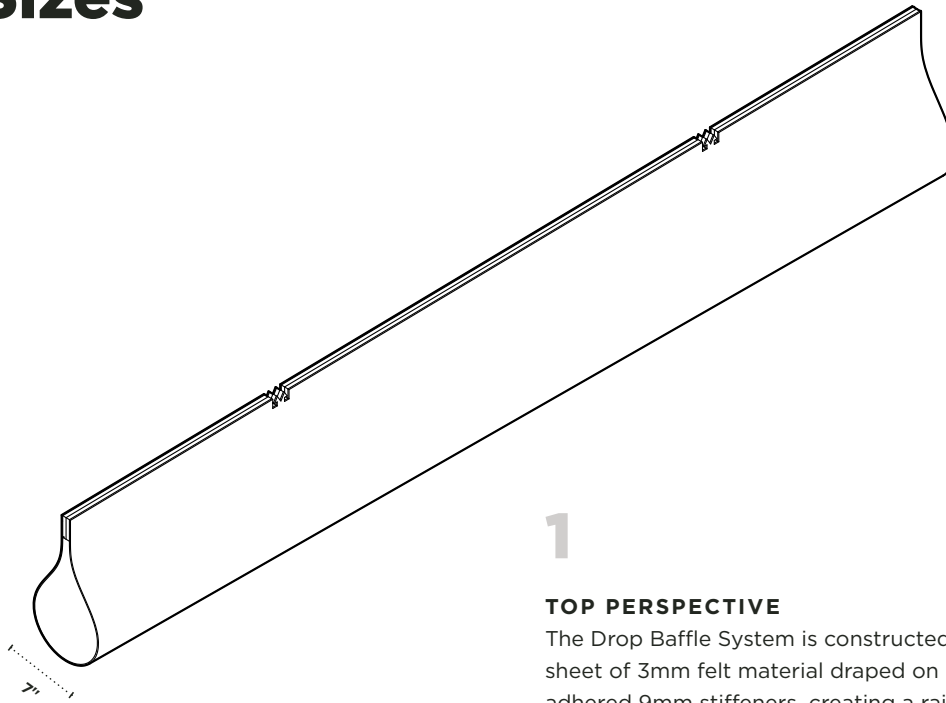


# Drop Baffle

**PLIABLE YET PRECISE**

The Drop Baffle is one of the industry's most adaptable acoustic solutions. With varying heights and a flexible profile, the Drop Baffle array offers a completely customizable appearance in any arrangement. This is where malleable aesthetics and acoustic performance meet in harmony.

# Baffle Sizes

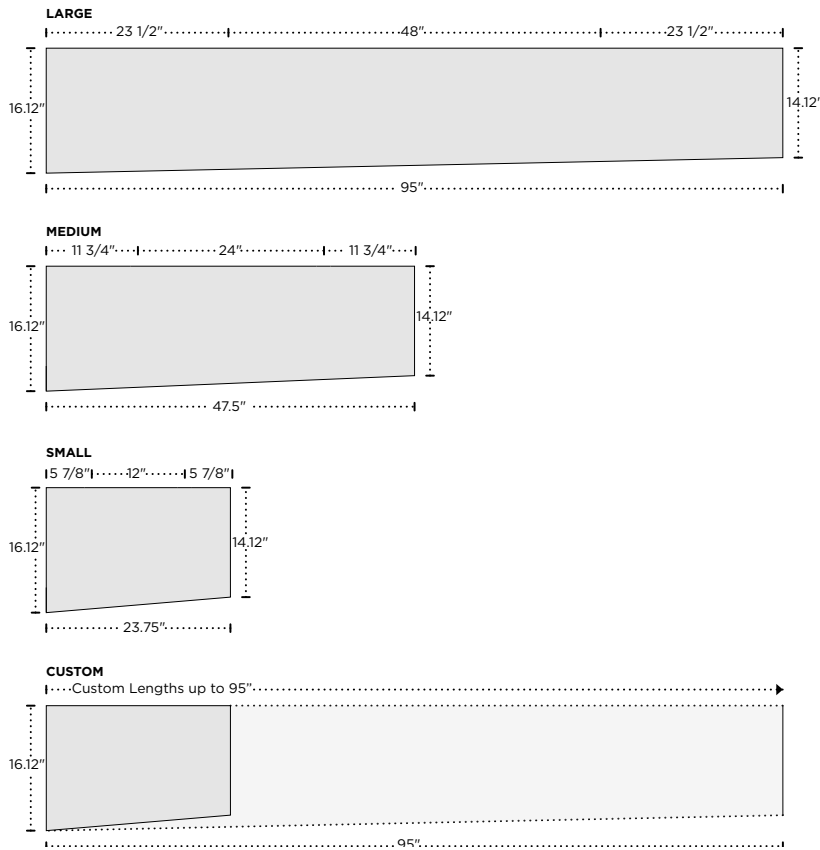


1

## TOP PERSPECTIVE

The Drop Baffle System is constructed from a single sheet of 3mm felt material draped on both sides of 2 adhered 9mm stiffeners, creating a rain drop profile and a **substantial air gap**. Each Drop Baffle boasts a **.85 - 1.25 NRC rating** and is made of **99% post-consumer recycled plastic**.

## STANDARD LENGTHS

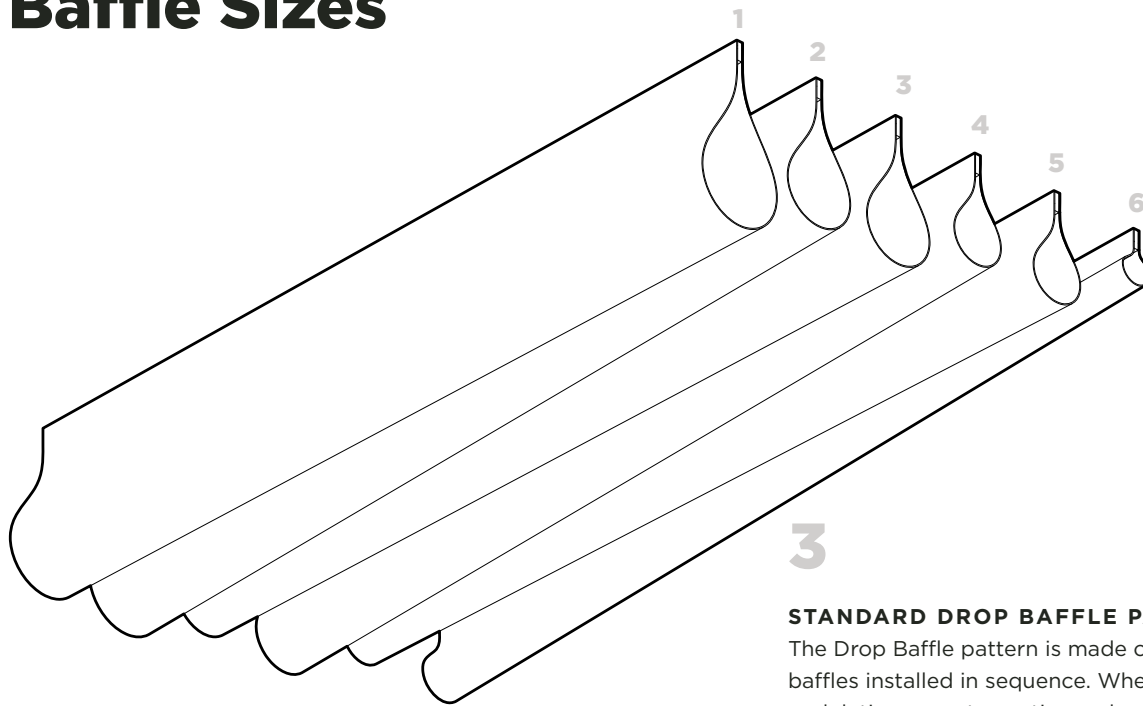


2

## FRONT ELEVATION

In addition to custom lengths up to 95", the Drop Baffle also comes in three standard sizes, making this product incredibly flexible.

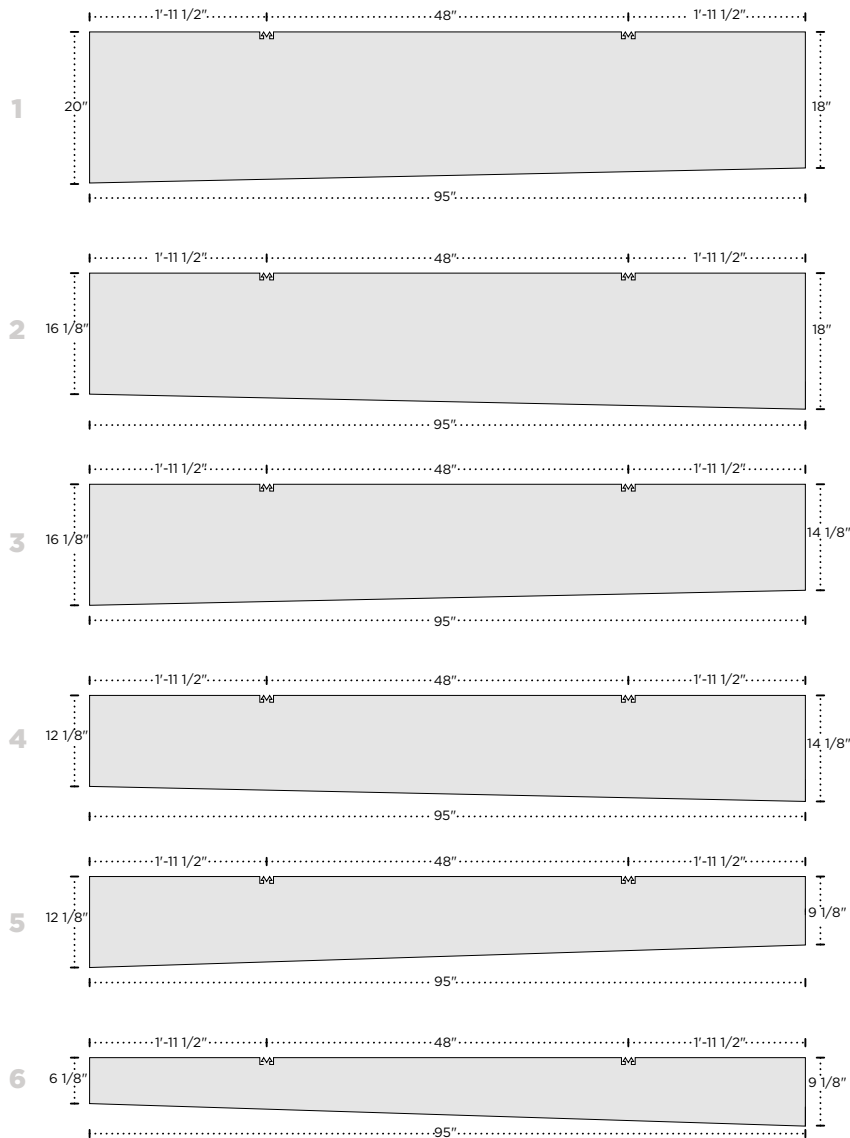
# Baffle Sizes



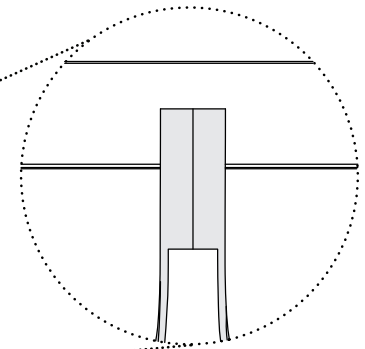
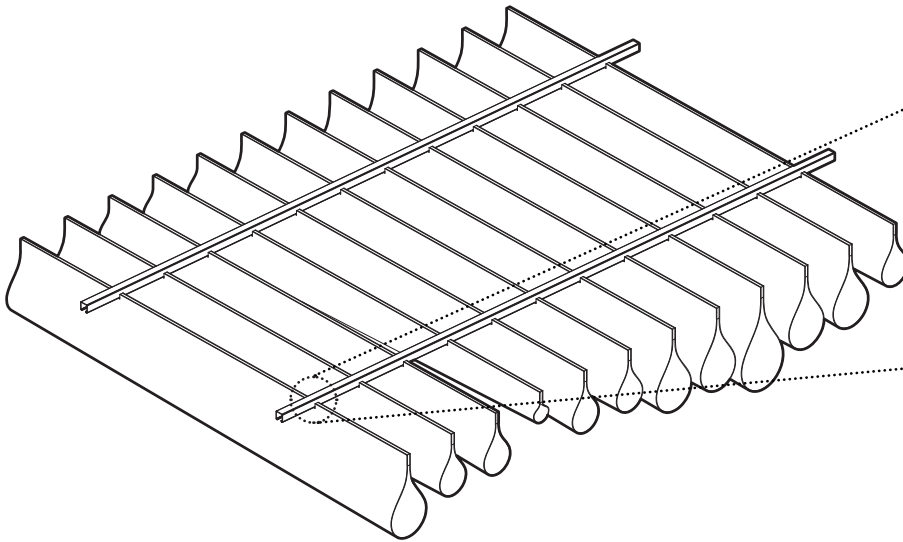
3

## STANDARD DROP BAFFLE PATTERN

The Drop Baffle pattern is made of six unique baffles installed in sequence. When mirrored, the undulation repeats continuously.

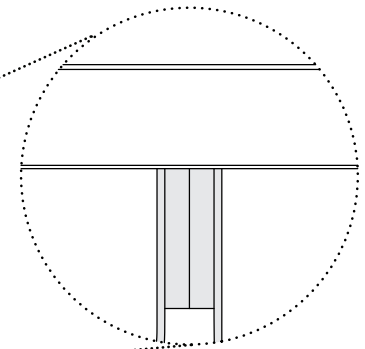
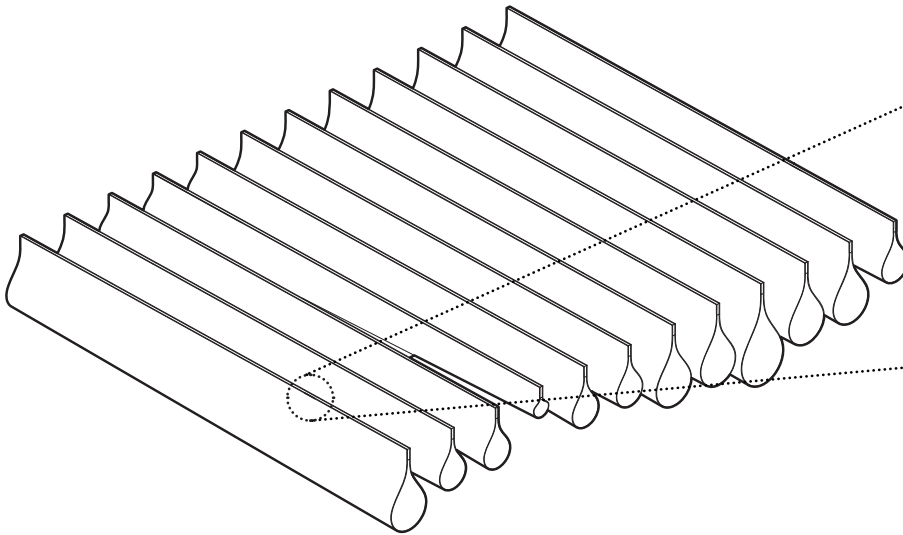


# Connection Types



## FELT LOCK

The baffles are — **in seconds** — snapped into place in standard lengths of **unistrut** — the industry's most universal installation hardware.

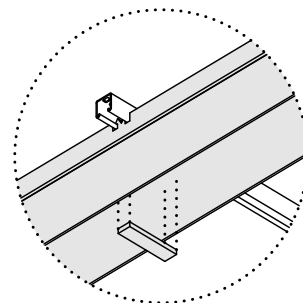
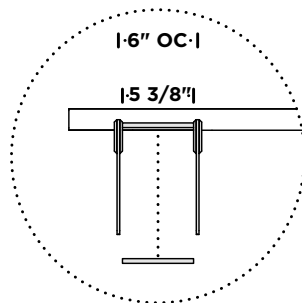
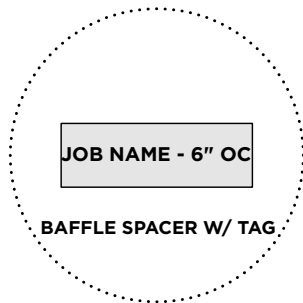
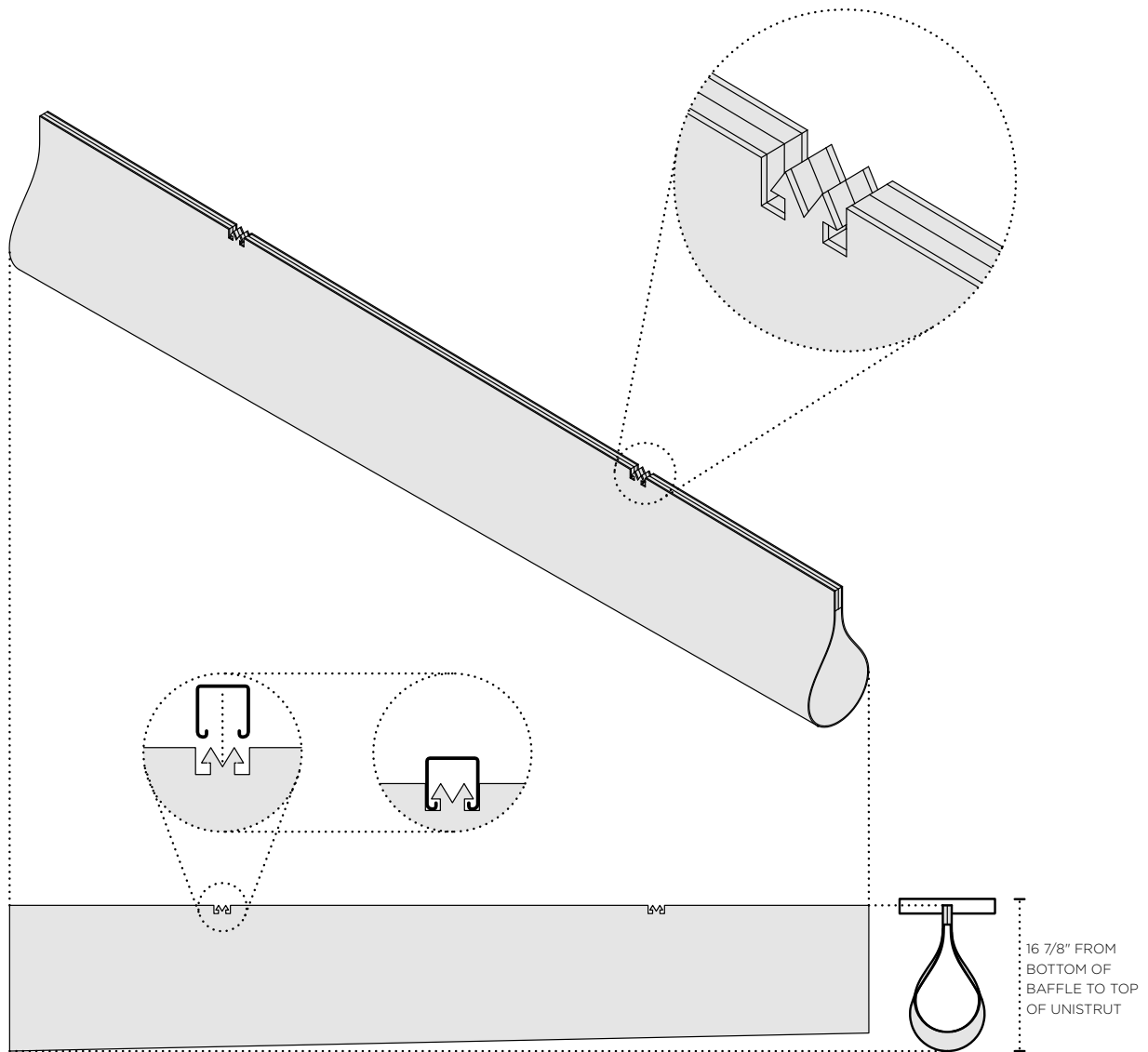


## MAGNETIC CONNECTION

These Magnetic baffles snap directly to **any ferrous metal hardware** making this baffle incredibly versatile and easy to install.



# Felt Lock



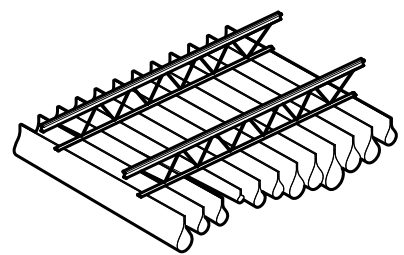
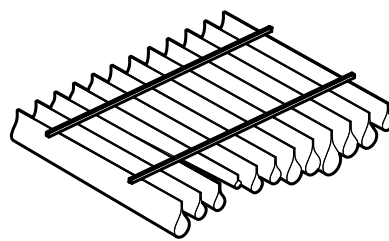
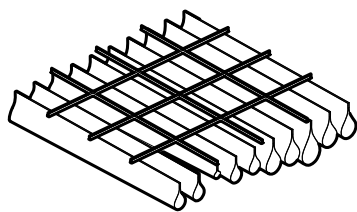
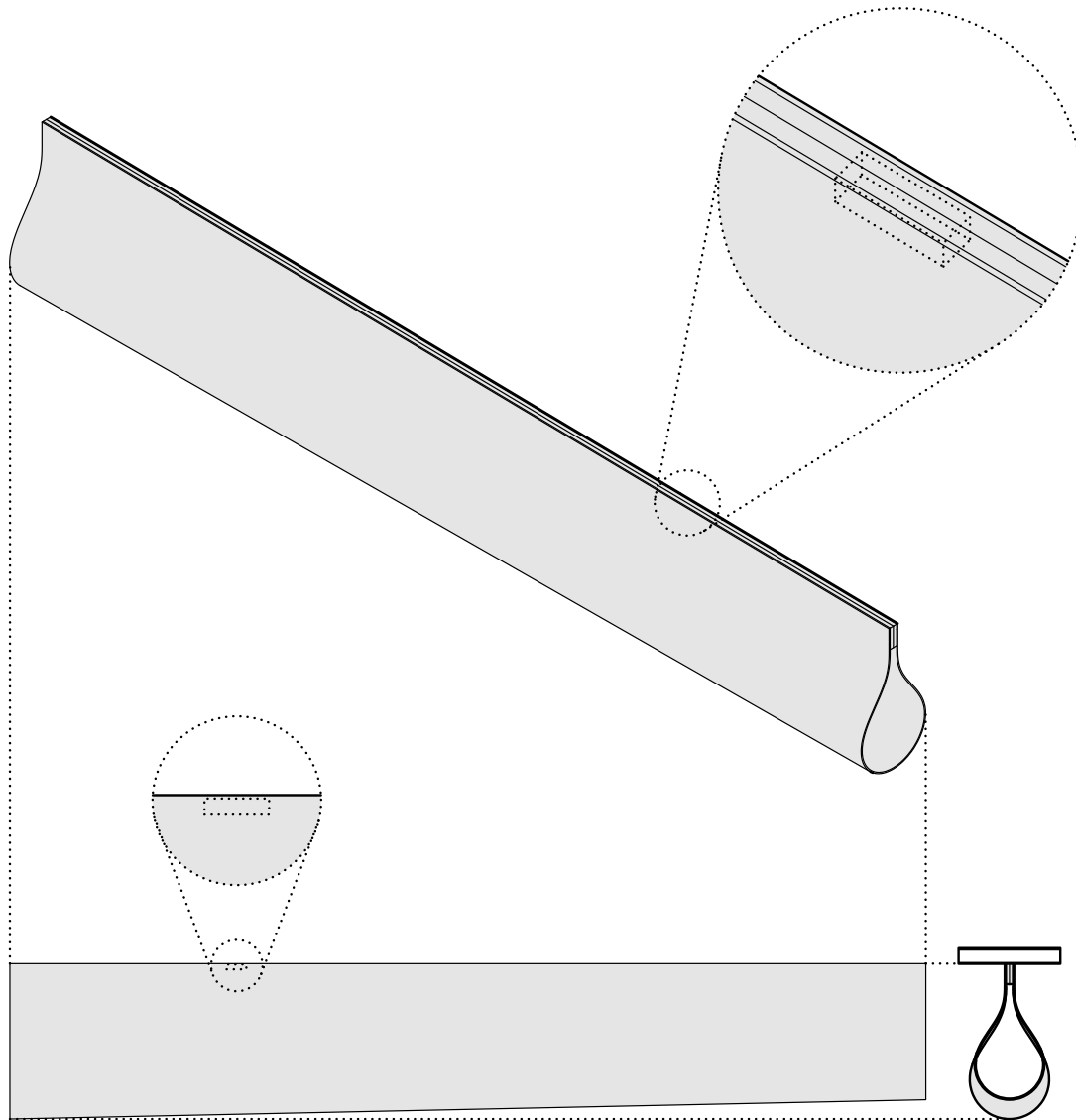
1

\*Spacing dependent on project

## BAFFLE ASSEMBLY

The baffles are — **in seconds** — snapped into place in standard lengths of **unistrut** — the industry's most universal installation hardware. Evenly spaced with 9mm strips of felt that slide into the unistrut channel in between baffles.

# Magnet



## 2

### BAFFLE ASSEMBLY

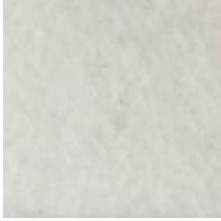
These Magnetic baffles snap directly to **Unistrut**, **tee bar**, or **steel joists**, making this baffle incredibly versatile and easy to install.

# Specifications

<b>PRODUCT NAME</b>	Drop Baffle (patent pending)
<b>CONTENT</b>	99% Recycled Polyester Felt
<b>FELT THICKNESS</b>	9mm
<b>PANEL THICKNESS</b>	24mm
<b>SMALLEST SIZE</b>	9.125" x 23.75"
<b>MAXIMUM SIZE</b>	20" x 95"
<b>EDGE OPTIONS</b>	Exposed Felt
<b>COMPONENTS</b>	UNISTRUT P1000T Standard, steel joists, universal steel T-Grid (supplied by installer)
<b>DURABILITY</b>	Contract
<b>MAINTENANCE</b>	Vacuum occasionally to remove any particulate matter and air-borne debris or dust. Compressed air can be used to dust the material in difficult to reach areas or for large assemblies.
<b>LEAD TIME</b>	Shipped in 4 weeks.
<b>ENVIRONMENTAL</b>	9mm PET felt board is made from over 99% recycled polyester plastic, over 50% of which come from recycled water bottles. TURF is pursuing product transparency for LEED V4 MR Credit 4 Option 1, and MR Credit 3 Option 2 for recycled content. TURF is pursuing a Declare Label for this product.
<b>VARIATION</b>	PET Felt uses a traditional 'felting' process to create it's panels. This often results in a pleasing heathered' effect, where multiple tones are present in the fiber. Slight and consistent variations in color should be expected when using this sustainable material. The form of this baffle is also subject to "settling" after installation.
<b>ACOUSTICS</b>	ASTM C 423: NRC [500hz] = .85 NRC [1000hz] = 1.00
<b>FIRE RATING</b>	UL tested ASTM E-84: Class A



# 9mm Felt Substrate Colors



5 WHITE



1 CREAM



4 LIGHT GREY



48 LIGHT BROWN



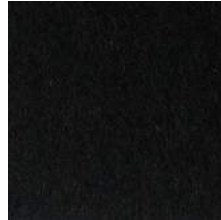
32 BROWN



38 MATTE GREY



6 CHARCOAL



7 BLACK



45 YELLOW



20 MANGO



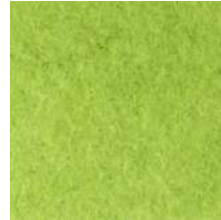
42 ORANGE



16 RED



39 LAVENDER



47 LIME



14 GREEN



25 LIGHT BLUE



29 DARK BLUE

## COLOR DISCLAIMER

Baffles over 95" only come in 5 White, 4 Light Grey, 38 Matte Grey, 6 Charcoal, and 7 Black

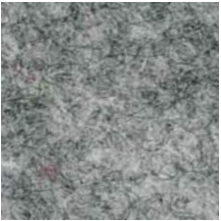
# 3mm Felt Colors



**LT-01 WHITE**



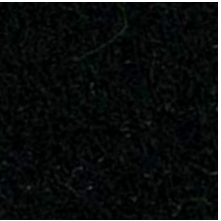
**LT-27 BLACK**



**LT-03 LIGHT GREY**



**LT-27 DARK GREY**



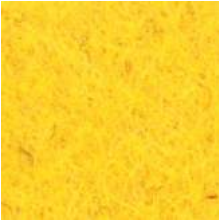
**LT-27 BLACK**



**LT-24 BLUE**



**LT-10 RED**



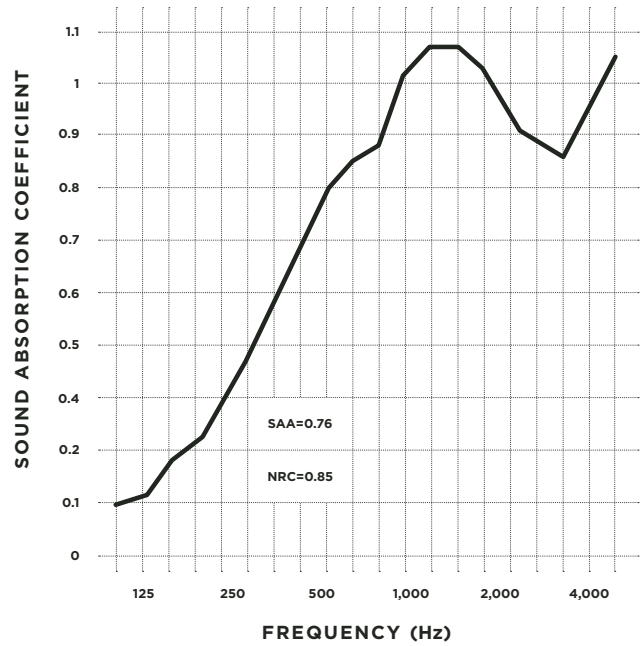
**LT-11 YELLOW**



**LT-12 GREEN**

# Acoustic Testing (ASTM C 423-17)

FREQUENCY (Hz)	SOUND ABSORPTION COEFFICIENT
32	.03
40	-.01
50	-.02
63	-.07
80	.06
100	.09
125	.12
160	.20
200	.24
250	.33
315	.45
400	.59
500	.76
630	.85
800	.89
1,000	1.00
1,250	1.06
1,600	1.06
2,000	.99
2,500	.89
3,150	.83
4,000	.94
5,000	1.04
6,300	1.00
8,000	1.05
10,000	1.07
12,500	1.07



## TEST ARRANGEMENT

PET Acoustic panel =400mm air layer.

## TEST DISCLAIMER

NRC test reflects material testing. Specific product testing for Drop Baffle coming soon.

## Declare.

**9mm Felt Turf Design**

Final Assembly: Elgin, IL, USA  
 Life Expectancy: 50 Years  
 End of Life Options: Salvageable/Reusable in its Entirety; Recyclable

Ingredients:

**99% Recycled Polyethylene Terephthalate (PET), Pigments<sup>1</sup>**

<sup>1</sup>LBC Temp Exception 110-E4 Proprietary Ingredients <1%

Living Building Challenge Criteria:

TFD-0001	Exp: 01 FEB 2018
VOC Content: N/A	VOC Emissions: CDPH Compliant
<b>Declaration Status</b>	<input type="checkbox"/> LBC Red List Free <input checked="" type="checkbox"/> LBC Compliant <input type="checkbox"/> Declared

MANUFACTURER RESPONSIBLE FOR LABEL ACCURACY  
 INTERNATIONAL LIVING FUTURE INSTITUTE™ [declareproducts.com](http://declareproducts.com)